

DATA SHEET

4633-G

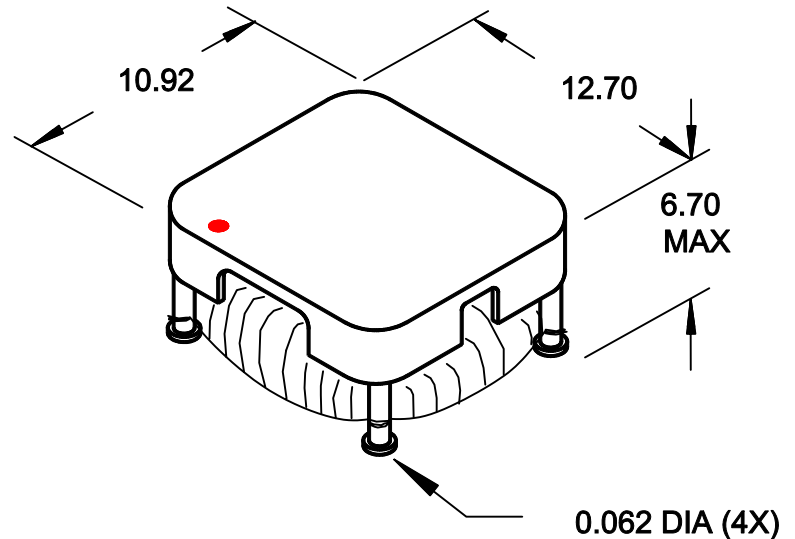
SURFACE MOUNT INDUCTOR

FEATURES:

SURFACE MOUNT

LOW PROFILE

PACKED IN TRAYS OR
TAPE AND REEL.

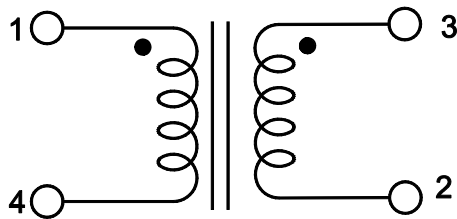


ELECTRICAL SPECIFICATIONS:

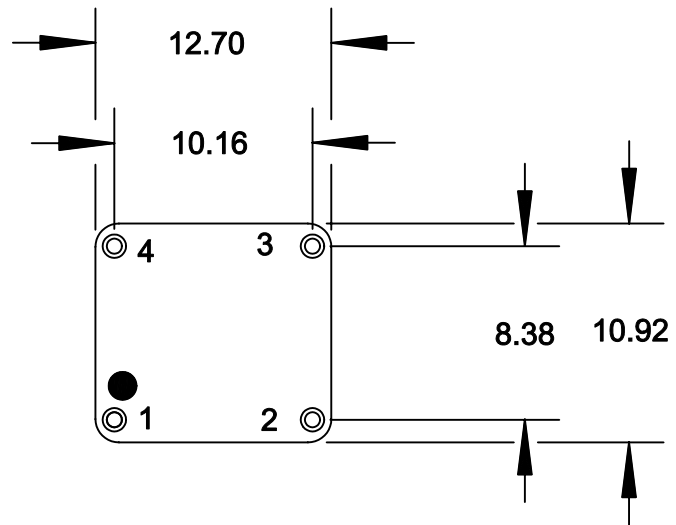
INDUCTANCE PIN 1 TO PIN 4 @ 50kHz 20mV: 11.4 - 14.5 uhy
 PIN 3 TO PIN 2 138 - 176 uHy

CORE MATERIAL: SENDUST POWDER

HIPOT 1500 VDC BETWEEN WINDINGS



SCHEMATIC
14T : 50T



INDUCTOR ASSEMBLY

SURFACE MOUNT

PACKAGING: POCKET TAPE/ TRAYS

MATERIAL: VARIOUS

PAGE: 1 of 1 UNITS: Millimeters

TOLERANCE: ±.01 / ±.005 / ±1°

U.L. REC.: 94V-0

SIGNATURE: REB

REVISION DATE: 3/3/00

GB INTERNATIONAL

1408 AIRPORT ROAD
 ENDICOTT N.Y. 13760

PHONE:(607)785-0938
 FAX :(607)785-1109
 E-MAIL :GBI@gbint.com

