

# DATA SHEET

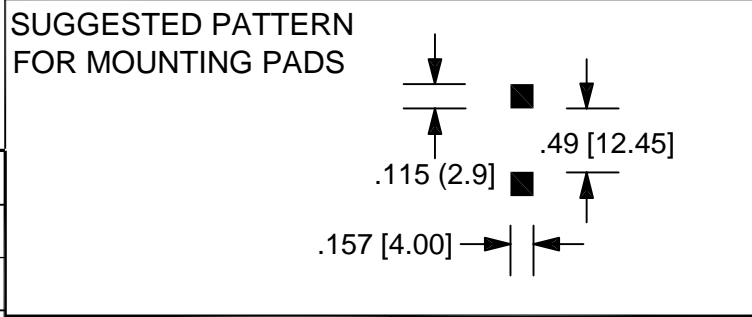
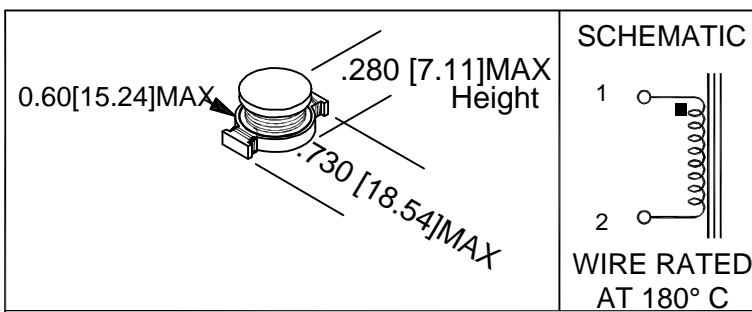
**5800- SERIES**

**Surface Mount DC-DC Converters Inductors**

PART NUMBER	INDUCTANCE ( $\mu\text{H} \pm 20\%$ )	DCR (Ohms $\pm 15\%$ )	* MAX CURRENT - Component	DC
5800-G	1.0	.009	8.6	
5801-G	2.2	.014	7.1	
5802-G	3.3	.018	6.2	
5803-G	5.6	.020	5.3	
5804-G	10	.031	4.3	
5805-G	15	.036	4.0	
5806-G	22	.047	3.5	
5807-G	33	.066	3.0	
5808-G	47	.086	2.6	
5808-G	68	.13	2.3	
5810-G	100	.19	1.8	
5811-G	150	.25	1.5	
5812-G	220	.38	1.2	
5813-G	330	.56	1.0	
5814-G	470	.85	.82	
5815-G	680	1.10	.72	
5816-G	1000	1.80	.56	

\* INDUCTANCE DROP OF 10% IS TYPICAL AT FULL LOAD

NOTE:  
SINCE DEVICE TEMPERATURE RISE IS ALMOST 100% APPLICATION DEPENDENT, MEASUREMENTS WITHIN SYSTEM SHOULD BE PERFORMED TO ENSURE PROPER APPLICATION. PRESENCE OR ABSENCE OF AIRFLOW, ENCAPULATION MATERIAL, AND SIZE OF LAND PATTERNS, ARE JUST A FEW OF THESE FACTORS.



**DC-DC CONVERTER INDUCTOR**  
**LOW PROFILE SURFACE MOUNT**  
**PACKAGING: 400 PC PER REEL**  
**32 mm TAPE 24mm PITCH**  
**PAGE: 1 of 1    UNITS: INCHES**  
**TOLERANCE:  $\pm .01 / \pm .005 / \pm 1^\circ$**   
**U.L. REC.: N/A**  
**APPROVAL : R.E. BENNINGER**  
**REVISION DATE: 4/25/03**

**GB INTERNATIONAL**  
 1408 AIRPORT ROAD  
 ENDICOTT N.Y. 13760  
 PHONE: (607) 785-0938  
 FAX : (607) 785-1109  
 E-MAIL : GBI@gbint.com  
 f:\wsketch2\3800-gd2.skd

