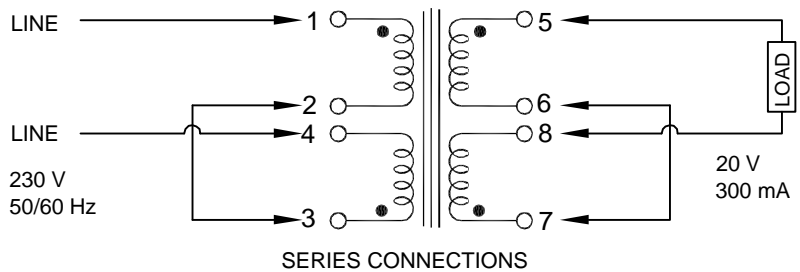
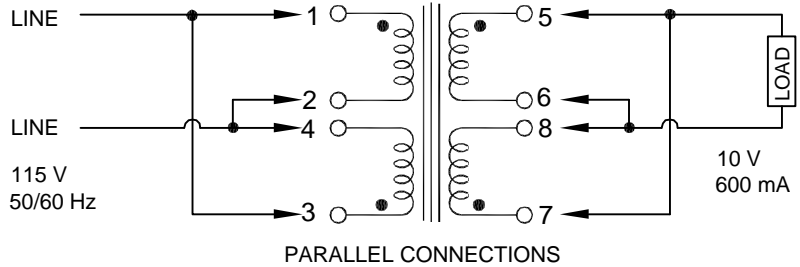
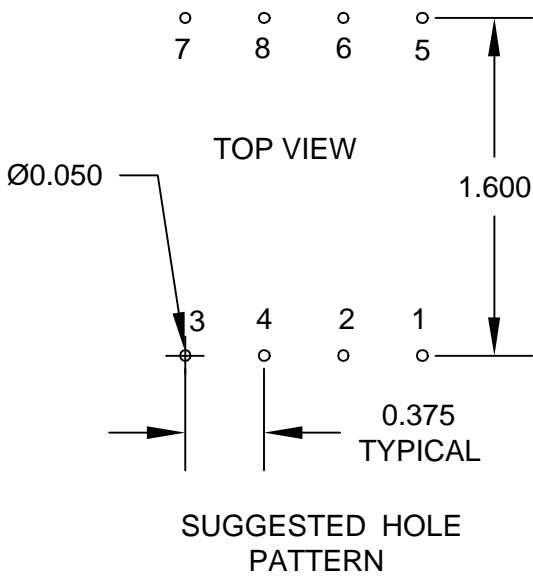
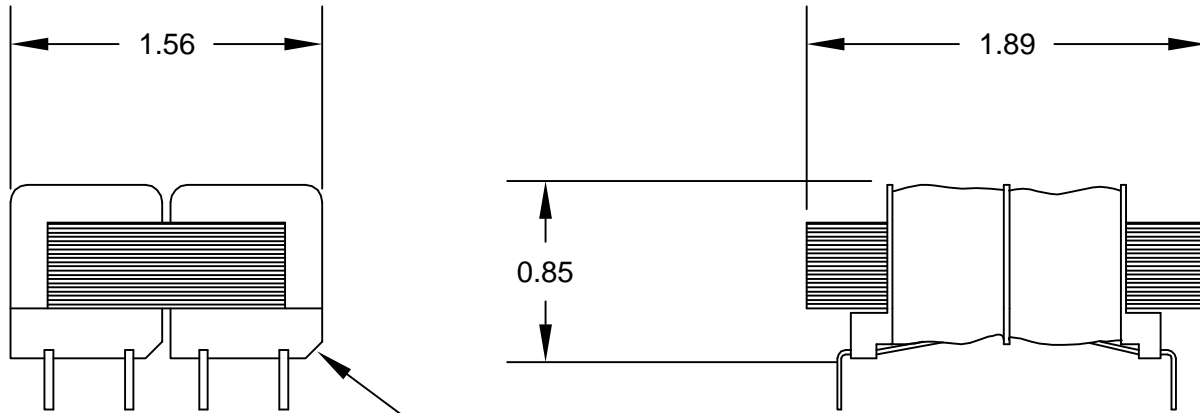


# DATA SHEET

## 6054-G LOW PROFILE TRANSFORMER



### FEATURES:

LOW CLEARANCE, ONLY 0.85" HIGH

REDUCED STRAY MAGNETIC FIELDS  
DUE TO TOROIDAL STRUCTURE

DUAL INPUT / OUTPUT

INPUT 115 / 230 V 50/60 Hz	
OUTPUT 20 V CT @ 300 mA / 10 V @ 600 mA	
PAGE: 1 of 1	UNITS: INCHES
TOLERANCE: ±.01 / ±.005 / ±1°	
SIGNATURE: R. E. BENNINGER	
REVISION DATE: 11/12/02	

### GB INTERNATIONAL

1408 AIRPORT ROAD  
ENDICOTT N.Y. 13760

PHONE:(607)785-0938

FAX :(607)785-1109

E-MAIL :GBI@gbint.com

