

DATA SHEET

2928-C

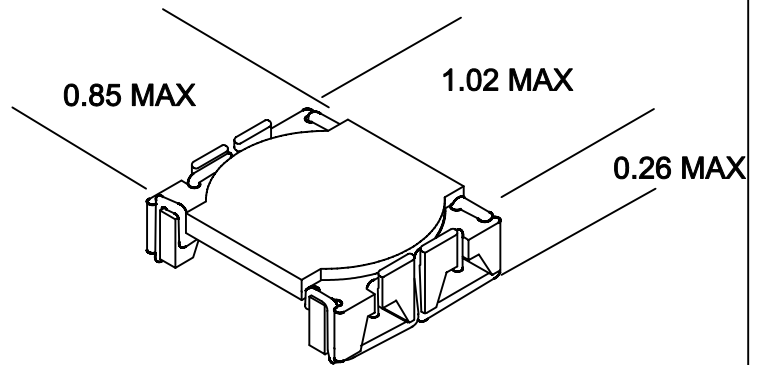
SURFACE MOUNT INDUCTOR

SPECIFICATIONS:

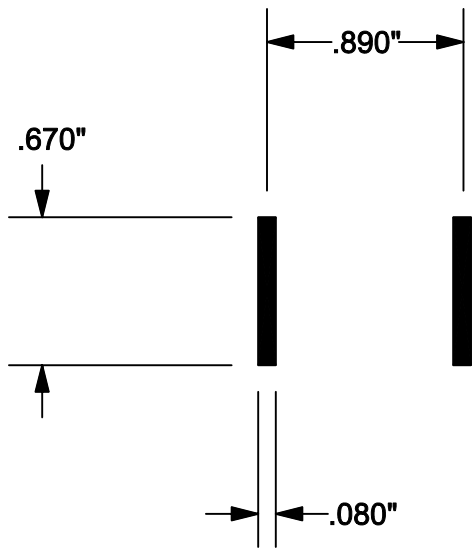
INDUCTANCE 2 μ Hy NOMINAL

D.C. RESISTANCE 6 mOHM MAX.

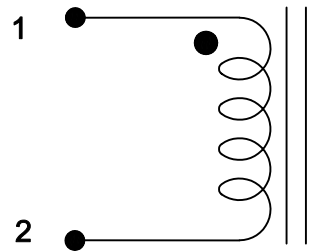
CURRENT 18 AMP (WITH AIR)



SUGGESTED PATTERN FOR P.C. BOARD



SCHEMATIC



MODEL NAME: SURFACE MOUNT INDUCTOR	
SPECIFICATION: 2 μ Hy 18 AMP	
PACKAGING: 40PC MATRIX TRAY	
MATERIAL: VARIOUS	
PAGE: 1 of 1	UNITS: INCHES
TOLERANCE: \pm .01 / \pm .005 / \pm 1°	
U.L. REC.: 94V-0	
SIGNATURE:	
REVISION DATE:	

GB INTERNATIONAL
 1408 AIRPORT ROAD
 ENDICOTT N.Y. 13760
 PHONE:(607)785-0938
 FAX :(607)785-1109
 E-MAIL :GBI@gbint.com

