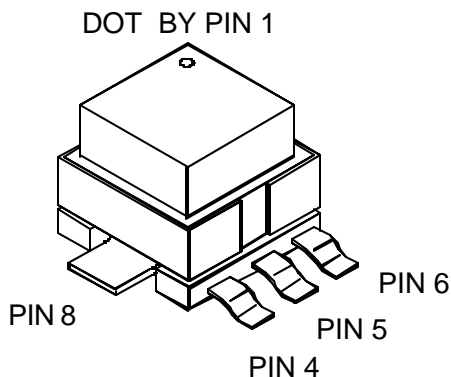




SMT Current Sensors

- CST 6 Amp Series



Description

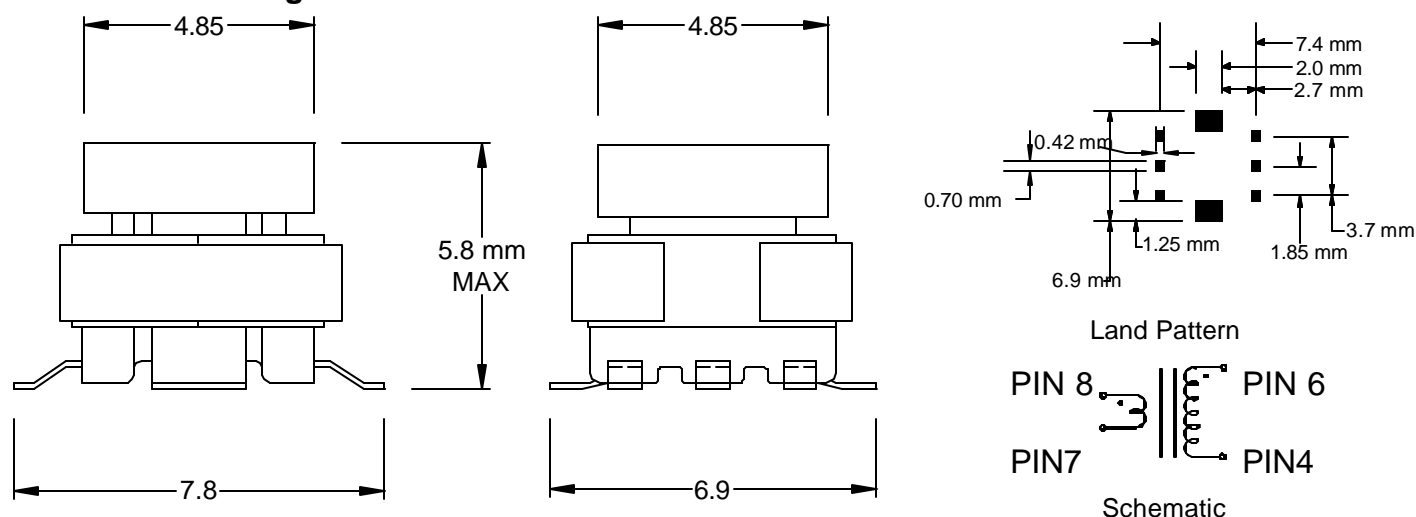
- Low profile surface mount
- Designed for switch mode power supply application
- Compatible with surface mount process temperatures
- UL class H 180°C

Application

- Switching power supplies
- AC current detection
- Output supply for control circuitry
- Appliance, medical equipment, office equipment



Mechanical Drawing



Electrical Properties

Part Number	Secondary Inductance (mH)	Secondary D.C. Resistance ($\Omega \pm 15\%$)	Turns Ratio	Primary Current (A Max.)
CST 3448-G	0.98	4.52	1 : 70	6
CST 5446-G	8.00	14.00	1 : 200	6

Note:

- Inductance test at 10KHz, 1Vrms
- D.C. Resistance measured at 20°C
- Hipot 500 VDC

Packaging

- 1000 pcs per reel

Storage & Handling Information

- See detail visit our web page at http://www.gbint.com/files/data/Storage_Handling/Storage_Handling.pdf